

36G Universal Intermittent Pilot / HSI / DSI Gas Valves

Product Overview

36G Universal Intermittent Pilot Gas Valve

New Product Launch – October 2020



Expanded Product Offering to Include Intermittent Pilot Capability for Lower Capacity Applications - Cooking, Boilers, Unit Heaters

One Universal Design Services Intermittent Pilot, HSI and DSI Applications

Developed on the Proven 36G 2-Stage Design

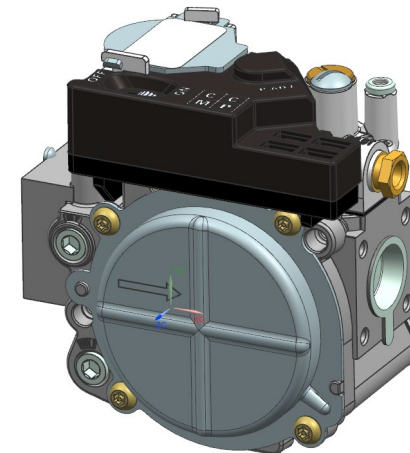
- Smaller Footprint vs. Competitor's IPI Valves

New Aluminum Body & Housing

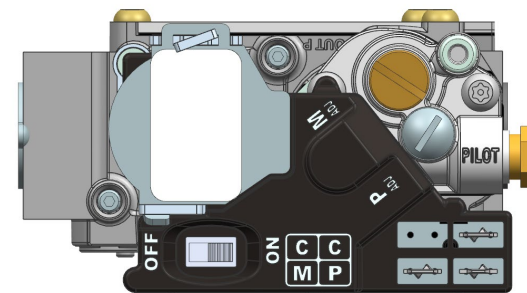
- Flange & Both Pressure Tap Styles in One Valve
- Convenient, Co-Located NPT Taps for Easy Access

Enhancements to Cover Design

- Recessed Switch for Better Protection & Operation
- Lettering Tailored for Intermittent Pilot Application



- Range of Regulation: 40-210 KBtu/hr
- 24VAC 60Hz, Single Stage
- 1/2 X 1/2 NPT
- Fast or Slow Open
- Natural Gas & LP
- All Models Include Flange Mount, NPT Taps, Tower Taps & Pilot Fitting



36G Universal Intermittent Pilot Gas Valve

New Product Launch – October 2020

New Recessed Switch

NPT & Tower Pressure Taps

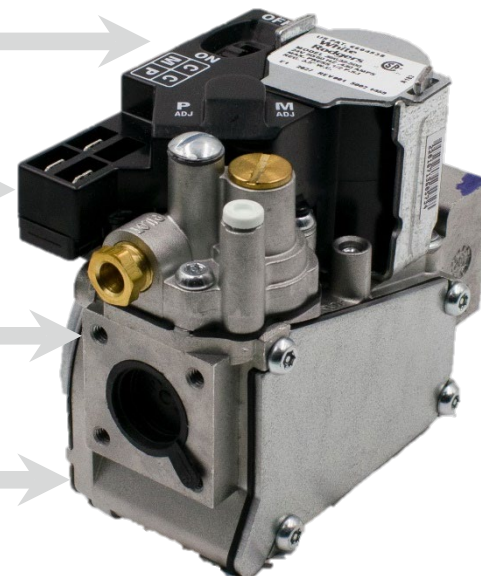
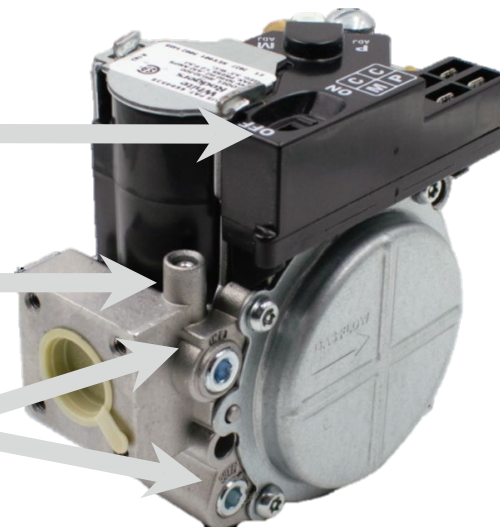
Co-Located NPT Taps

Tailored Int. Pilot Lettering

Quick Connect Terminals

Flange Mount Option

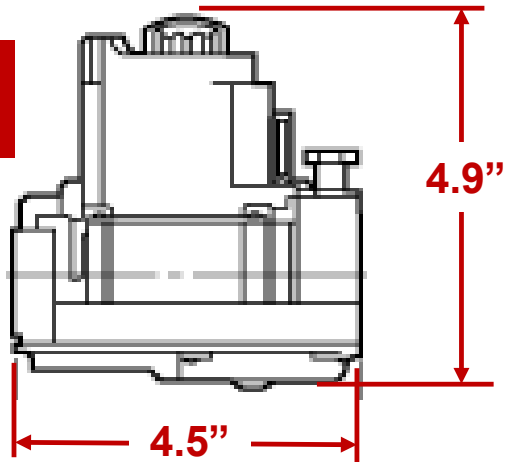
Small Body Footprint



36G Universal Intermittent Pilot Gas Valve

Smaller Footprint for Space-Limited Applications

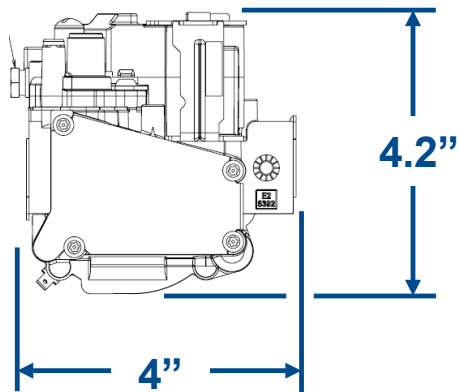
**Competition
(VR8204)**



L: 4.5"
W: 2.7"
H: 4.9"



New 36G3X



L: 4"
W: 2.4"
H: 4.2"



36G Universal Intermittent Pilot Gas Valve

Typical OEM Applications



- Convection Ovens
- Gas Fryers
- Gas Kettles
- Residential Boilers
- Space Heaters
- Unit Heaters
- Commercial HVAC
- Residential HVAC (Older)



36G Universal Intermittent Pilot Gas Valve

Wholesale Offerings



36G32-500

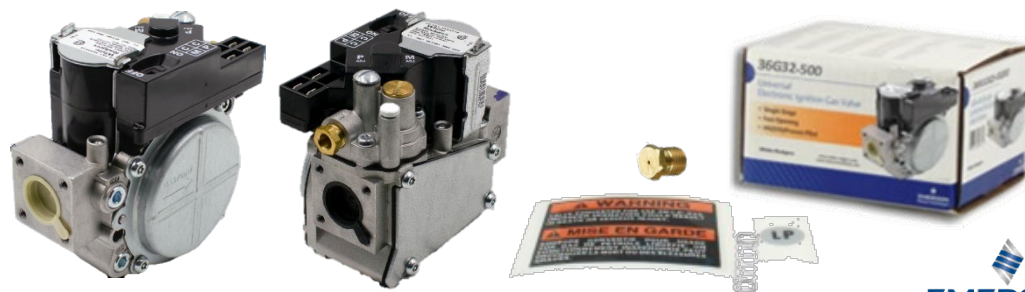
- ✓ Single Stage, 24V
- ✓ Intermittent/Proven Pilot/HSI/DSI
- ✓ **Fast Open**
- ✓ Straight Thru, 1/2" X 1/2" NPT
- ✓ Flange Mount Capability
- ✓ Electric On/Off Switch
- ✓ 1/4" Spade Quick Connect Terminals
- ✓ NPT Taps and Tower Pressure Taps
- ✓ Includes Pilot Fitting
- ✓ Includes Pilot Plug
- ✓ Includes LP Conversion Kit

36G33-500

- ✓ Single Stage, 24V
- ✓ Intermittent/Proven Pilot/HSI/DSI
- ✓ **Slow Open**
- ✓ Straight Thru, 1/2" X 1/2" NPT
- ✓ Flange Mount Capability
- ✓ Electric On/Off Switch
- ✓ 1/4" Spade Quick Connect Terminals
- ✓ NPT Taps and Tower Pressure Taps
- ✓ Includes Pilot Fitting
- ✓ Includes Pilot Plug
- ✓ Includes LP Conversion Kit

36G32-500 is Included in the Distributor Branch Heating Season Stock List & Contractor Truck Stock

Both Models are in the FY21 Price List



36G Universal Intermittent Pilot Gas Valve Common Competitive Models & Cross-Reference



VR8204A



VR8204M



VR8204H



VR8204K

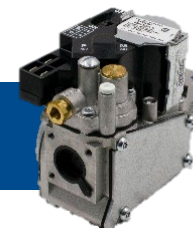
Fast Open

36G32-500



Slow Open

36G33-500



36G Universal Intermittent Pilot Gas Valve Competitor & Customer Cross-Reference



CROSS REFERENCE FOR 36G32-500 (FAST OPEN):

HONEYWELL		MODINE	REZNOR	BLODGETT	PITCO	ENERCO	HEIL/TEMPSTAR/ COMFORTMAKER	RHEEM / RUUD
VR8204A1201	VR8204M1091	5H0806810000	VR8204M1901	30005	60113501	00036	1005597	60-25076-02
VR8204A1219	VR8204M1232	5H0806820000	176680	30006	60113502	00037	VR8204M1075	60-105663-01
VR8204A2001	VR8204M8005	36G32-510	VR8204M1000	41108	60113503	VR8204M1216	1162036	60-22525-05
VR8204A2035	VR8245M2530	36G32-511	96307	36G32-520	VR8204A8826	VR8204M1224	VR8204M1232	60-22745-01
VR8204A2076		36H32-209	VR8204M1018	36G32-521	VR8204A8834			
VR8204A2105		36H32-210	96310	VR8204A2803	VR8204A8842			
VR8204A2175				VR8204A2837				
VR8204A2258								
VR8204A2266								
VR8204A2803								
VR8204A2837								
VR8204A2852								
VR8204M1026								
VR8204M1075								
		SOUTHBEND RANGE	VULCAN	ROBERSTSHAW	WEIL-MCLAIN	JCI/YORK	FRYMASTER	
		5450-1	420828-1	722-051 (2000DERHC)	511-044-381	VR8204M1026	8100786	
		5450-2	857027	722-079 (2000IPERHC)	511-044-354	7839	8100787	
		1182167	857028	7222DER			VR8204A8800	
							VR8204A8818	

CROSS REFERENCE FOR 36G33-500 (SLOW OPEN):

HONEYWELL		LENNOX/ARMSTRONG				WHITE-RODGERS	REZNOR	RHEEM / RUUD	PITCO
VR8204H1006	VR8204H1055	41K35 / 41K3501	58K73 / 58K7301	R39514B001	VR8204H1097	36G33-905	VR8204H1907	60-22526-01	PP11140
VR8204H1014	VR8204K2729	41K37 / 41K3701	74H27 / 74H2701	R39514B003	VR8204H2814		176681	VR8204H1006	VR8204H3440
VR8204H1022		41K38 / 41K3801	97H27 / 97H2701	VR8204H1048	VR8204H2301				
		58K73 / 58K7301	R39514B001	VR8204H8019					

**Cross Reference Detail Above
will also be Displayed on the
Wholesale Box Artwork**



36G Universal Intermittent Pilot Gas Valve

Available Now

SPECIFICATIONS:

Pressure Regulator Adjustment Range

Nat. Gas – 2.5” to 5.0” W.C.

LP Gas – 7.0” to 12.0” W.C. with LP conversion kit

Capacity (@ 1” pressure drop across valve)

Nat. Gas (1,000 BTU/cu. ft.) – 140,000 BTU/hr.

LP Gas (2,500 BTU/cu. ft.) – 226,800 BTU/hr.

Mounting Positions

Multi pose – Control may be mounted in any position

Agency

CSA



Reduction of Inventory

One universal design services intermittent/proven pilot, HSI and DSI applications



Versatile

Small footprint

Flange mount, side NPT and tower pressure taps in one valve



Ease of Service

Co-located NPT taps for easy access
Lettering tailored for intermittent pilot applications

VOLTAGE	STAGES / OPENING	PIPE SIZE	REGULATOR SETTING	NATURAL GAS ADJ. RANGE (WC)	LP GAS ADJ. RANGE (WC)	LP KIT INCLUDED	FLOW DIRECTION	INLET / OUTLET PRESSURE TAP	HSI / DSI	INTERMITTENT / PROVEN PILOT	FLANGE MOUNT CAPABLE	MODEL NUMBER	ITEM NUMBER
24 Vac 50/60Hz	1 - Stage Fast Open	1/2" X 1/2"	3.5"	2.5"-5.0"	7.0"-12.0"	Yes	Str. Thru	Yes / Yes* NPT & Towers	Yes	Yes	Yes	36G32-500	36G32-500
24 Vac 50/60Hz	1 - Stage Slow Open	1/2" X 1/2"	3.5"	2.5"-5.0"	7.0"-12.0"	Yes	Str. Thru	Yes / Yes* NPT & Towers	Yes	Yes	Yes	36G33-500	36G33-500